

Brickcom

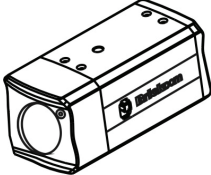
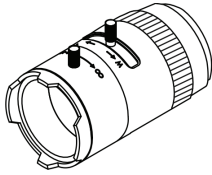
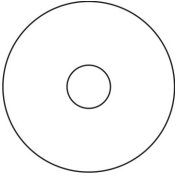
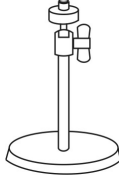

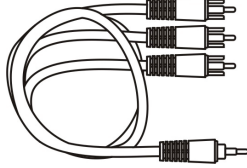
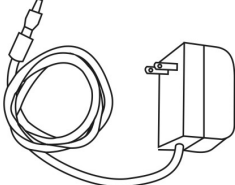
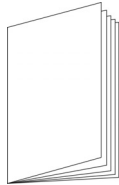
Easy Installation Guide

Megapixel Day & Night
Fixed Box Network Camera

FB-Series

English

Step 1. Check Package Contents

<p>a. Network Camera</p>  A rectangular network camera with a lens on the front and a lens cap on the side.	<p>b. CS mount Lens (Optional)</p>  A cylindrical lens with a lens cap and adjustment rings.
<p>c. Product CD</p>  A standard compact disc.	<p>d. Camera Stand</p>  A tripod-style camera stand with a circular base and a vertical post.
<p>e. Warranty Card</p>  A rectangular card with the text "Warranty Card" centered on it.	<p>f. A/V Cable (FB-500A Series & FB-300N series)</p>  A coiled cable with multiple connectors at one end and a single connector at the other.
<p>g. Power Adapter (Optional)</p>  A power adapter with a power cord and a connector for the camera.	<p>h. Easy Installation Guide</p>  A stack of papers representing an installation guide.

i. Allen Key



j. C Mount Ring

(FB-500A Series & FB-300N series)

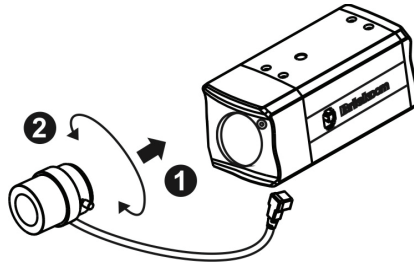


Step 2. Hardware Installation

Mounting the CS-Mount Lens to the Camera

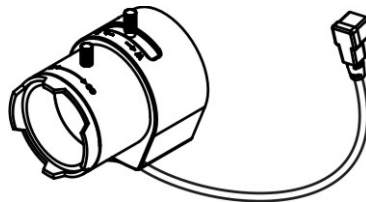
<Vari-focal Lens with Manual Iris> --- Optional Lens

1. Connect the CS-mount lens to the camera by turning it clockwise onto the camera mount until it stops.
2. If necessary, adjust the iris controller, focus controller, and zoom controller to get the best resolution.



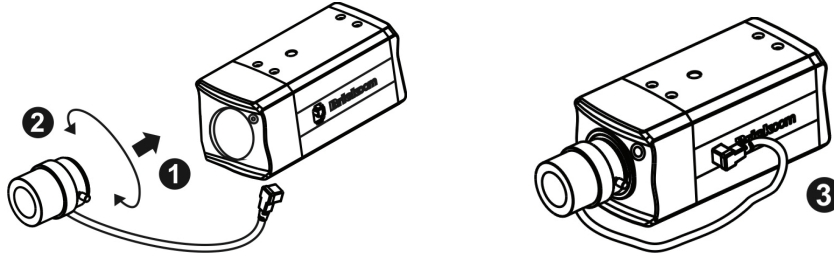
To adjust the lens:

1. Adjust the iris ring controller to control the amount of light coming through the lens. The more the iris is opened, the brighter the scene will be.
2. The zoom controller can be manually adjusted to control the zoom factor on the camera. Users can create a tighter or wider view of the site being recorded.
3. Adjust the focus controller to control the focus range of the lens.



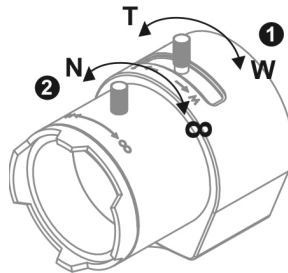
<Vari-focal Lens with Auto Iris> --- Optional Lens

1. Connect the CS-mount lens to the camera by turning it clockwise onto the camera mount until it stops.
2. If necessary, adjust focus controller, and zoom controller to get the best resolution.
3. Connect the lens cable plug (DC Iris control cable) to the camera side connector.



To adjust the lens:

1. The zoom controller can be manually adjusted to control the zoom factor on the camera. Users can create a tighter or wider view of the site being recorded.
2. Adjust the focus controller to control the focus range of the lens.

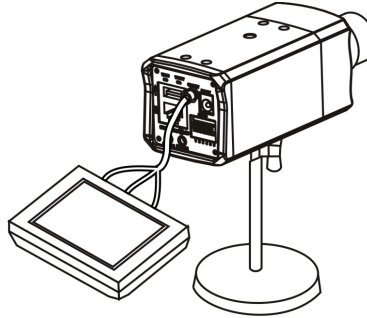


*For further information of vari-focal lens with auto iris, please refer to the supplied lens' instruction manual.

****Connect a Monitor to the Camera: (This only apply for FB-500A series and FB-300N series)****

Use an A/V Cable to view the camera's video feed and manually adjust the lens iris, focus, and zoom to get the desired image quality.

1. Connect the A/V Cable to the monitor.



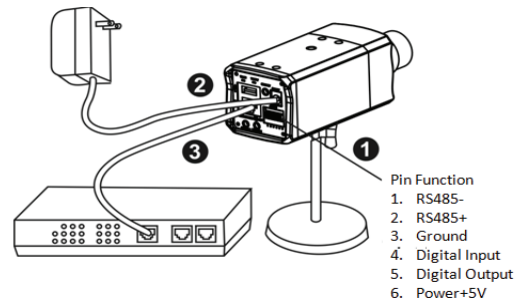
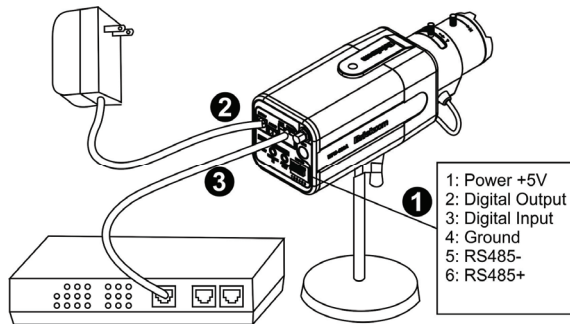
Step 3. Camera Connection

i) Basic Connection (Without PoE)

1. To attach external devices, such as sensors and alarms, connect them to the extension I/O terminal block.
2. Connect the camera to a switch using an Ethernet cable.
3. Connect the supplied power cable to the camera and plug it into a power outlet.

FB-100A Series & FB-130N Series

FB-300N Series & FB-500A Series



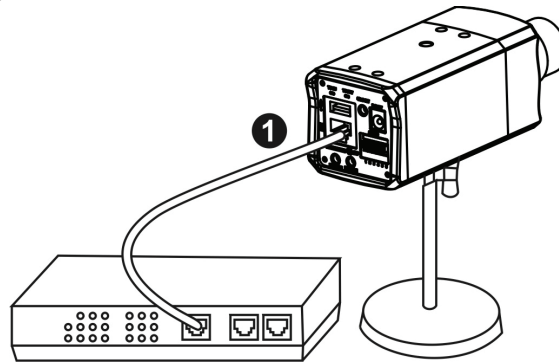
Depending on the user's application, an Ethernet cable may be needed. The Ethernet cable should meet the specs of UTP Category 5 and not exceed 100 meters in length.

When powering up, the power LED will light up and the camera will boot up. The link LED will be an illuminate as amber when obtaining the IP address. After obtaining the IP address, the link LED will flash orange while the network connection is processing.

ii) Power over Ethernet (PoE) Connection

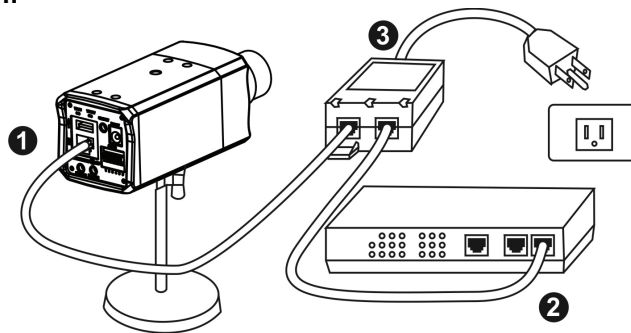
The Fixed Box is PoE compliant, so there are two options for connecting the camera to a power and Ethernet source. The camera can either be connected to a PoE-enabled switch or a non-PoE switch.

A. If using a PoE-enabled switch:



1. Use a single Ethernet cable to connect the camera to the PoE-enabled switch.

B. If using a non-PoE switch:



1. Use a standard RJ-45 cable to connect the camera to a PoE injector.

- Use a standard RJ-45 cable to connect the PoE Injector to the non-PoE switch.
- Use a standard power cable to connect the PoE Injector to a power outlet.

Complete the Installation

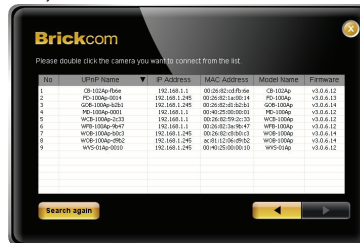
Step 4. Install the EasyConfig Software

Insert the CD into the CD-ROM, and follow the instructions of the InstallShield Wizard to finish installation.



Step 5. Launch EasyConfig

Launch the EasyConfig software, and click on the camera from the survey list to connect.



Follow the EasyConfig software to configure the camera's IP address and EasyLink™ settings.



Step 6. Installation Completed

Click <Live View> to view the live video feed of the network camera.